



MF48 MF84 MF94 MB94 MB95 MB108
ORDER/OFFER REQUEST FORM

ORDER
 OFFER
Date: _____

ALBERTO SASSI S.p.A.
www.sassi.it
sales@sassi.it
Rev. 2017/05 ENG

FROM: _____ REF: _____ Requested delivery: _____

➤ **INSTALLATION DATA**

Roping _____ Cabin speed **m/s** _____ Duty load **Kg** _____ Cabin + frame **Kg** _____ Travel **H m** _____

Counterweight **kg / %** _____ Ropes **n°x Ø** _____ Ropes weight (travel H) **kg** _____ Compensating ropes **%** _____

➤ **GEAR :** MF48 MF84 MF94 MB94 MB95 MB108 **QUANTITY:** _____

Ratio _____ Sheave **Ømm** _____ Groove **n°x Ø** _____ brake **Volt DC** _____ Oil for life included only in MF84

➤ **MOTOR by ALBERTO SASSI** For gears **MB** with B3 motor: without motor supplied by Sassi supplied by customer

2 speeds VVVF V _____ Hz _____ Poles/rev _____ Synch. Power kW _____ Sts/h _____

Ventilator 220/240V mono Tropicalization

➤ **EMERGENCY BRAKE IN SLOW SHAFT (available for MF48 MF84 only)**

yes predisposition only Brake voltage: standard 205/207V 48-60-104-180V (only brakes by SASSI)

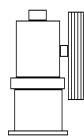
Language for data plate and Owner's handbook I GB D E F CZ AR

ACCESSORIES	
<input type="checkbox"/> Rope clamp	<input type="checkbox"/> Sheave protection
<input type="checkbox"/> Ropes protection	<input type="checkbox"/> Flat frame
<input type="checkbox"/> Encoder coupling thrustbearing side (standard)	<input type="checkbox"/> High frame
<input type="checkbox"/> Encoder coupling motore side	Dist. btw. Ropes _____ mm
<input type="checkbox"/> Encoder	<input type="checkbox"/> Divertor Ø _____ mm
<input type="checkbox"/> Connector for inverter – specify Brand / Type _____	<input type="checkbox"/> Divertor protection
<input type="checkbox"/> Ecobrake	<input type="checkbox"/> Vibration dampings
	<input type="checkbox"/> Outboard support with standard shaft
	<input type="checkbox"/> Packing in box

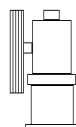
- Sheave groove: pitch 18mm for ropes $\phi \leq 12$; pitch 21mm for ropes $\phi > 12$
- Ventilator : monophase 220/240 V 50/60 Hz (180-240 Avv/h for 2 speeds – 240 Sts/h for VVVF)
- Flanged motors only by Sassi : IP21 class F with thermoresistors and star /delta connection
- Encoder coupling thrustbearing side and motor side
- Standard Encoder 1024 pulses with push-pull electronics and line driver with power voltage from 5 up to 30 V – cable 7m .

SHEAVE POSITION

without sheave

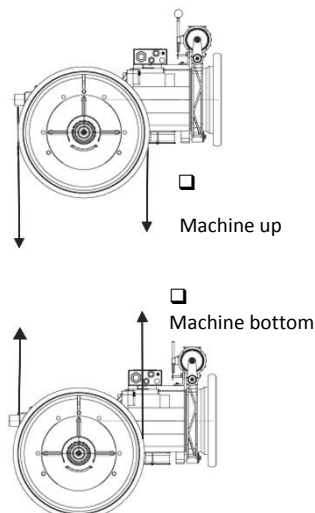


right

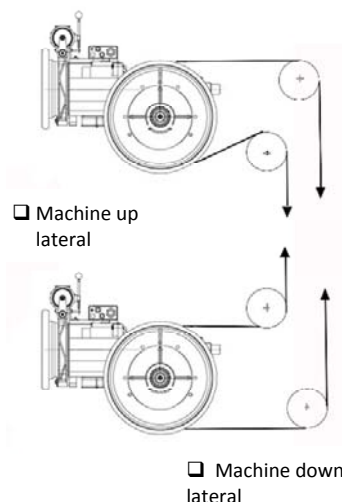


left

Standard configuration



Side roping configuration



Groove type

Standard groove V 35°/97° OR 45° without undercut hardened

V angle _____°
V angle _____° **with undercut** angle _____°
U angle _____° **with undercut** angle _____°

Rope- min. breaking load for each rope _____ Kg

Notes:

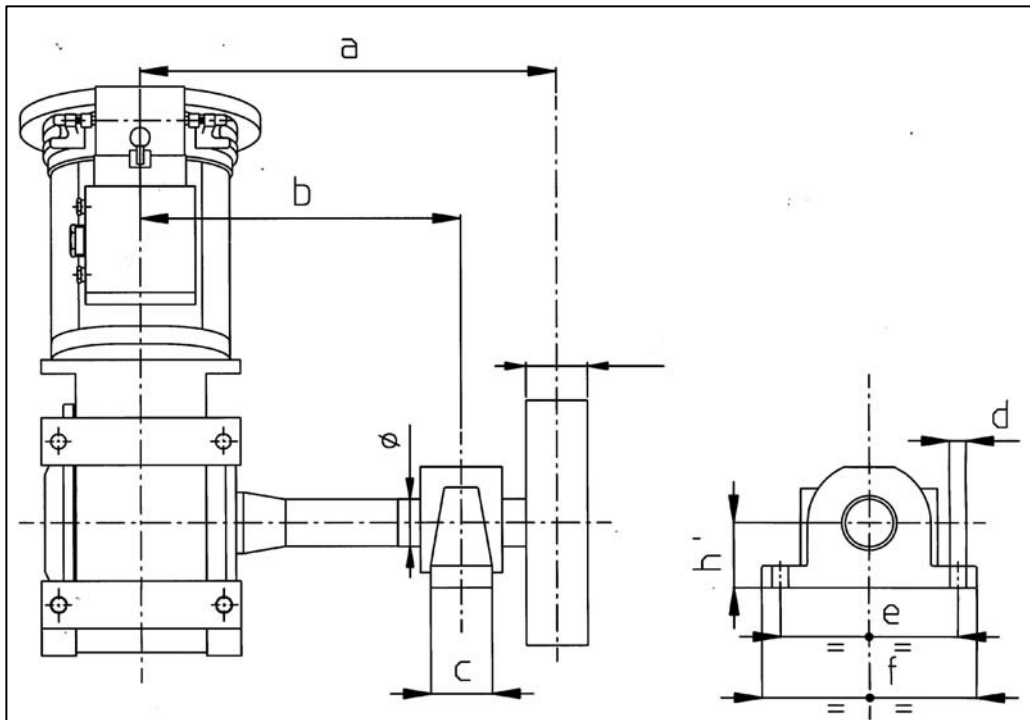
In case of extended shafts please fill-in
The form at following page →→

Da/from/Von/ _____

Rif ordine/ offerta argano
 Betr. Getriebe-bestellung/angebot
 Ref offre / commande treuil
 Ref. Gear's Order/offer -
 Ref pedido/oferta reductor

Argano modello
 Gear's type
 Getriebetyp
 Treuil type
 Reductor tipo

ALBERO ALLUNGATO / EXTENDED SHAFT / VERLANGERTE WELLE / ARBRE ALLONGEE / EJE LARGO *



	mm
a	
b	

Carico statico / static load
Kg.

*NOTA: escluso MB95 MB108 / MB95 MB108 excluded / Ausgenommen MB95 MB108 / Exclu MB95 MB108 / Excluido MB95 MB108