



# GEARLESS ORDER / OFFER REQUEST FORM

ORDER  
 OFFER

ALBERTO SASSI S.p.A.  
[www.sassi.it](http://www.sassi.it)  
sales@sassi.it

Date: \_\_\_\_\_

Rev. 2017/05 ENG

**FROM:** \_\_\_\_\_

**REF:** \_\_\_\_\_

**Requested delivery:** \_\_\_\_\_

➤ **INSTALLATION DATA**     low traffic     medium traffic     high traffic

Roping \_\_\_\_\_ Cabin speed **m/s** \_\_\_\_\_ Duty load **Kg** \_\_\_\_\_ Cabin + frame **Kg** \_\_\_\_\_ Travel **H m** \_\_\_\_\_

Counterweight **kg / %** \_\_\_\_\_ Ropes **n°/x Ø** \_\_\_\_\_ Ropes brand and type \_\_\_\_\_ Ropes weight (travel H) **kg** \_\_\_\_\_

Compensating chains **%** \_\_\_\_\_

➤ **GEARLESS :**     G-100     G-180     G-200 T1     G-200 TC     G-300     G-400     G-500    **QUANTITY:** \_\_\_\_\_

Sheave **Ømm** \_\_\_\_\_  cast iron  steel (≤ Ø 160mm) Groove **n°x Ø** \_\_\_\_\_ Sts/h \_\_\_\_\_ DC / ED% \_\_\_\_\_

➤ **INVERTER :** If you already have the inverter, please specify:

Inverter type \_\_\_\_\_ Nominal power **kW** \_\_\_\_\_ Nominal current **A** \_\_\_\_\_

➤ **BRAKE: frontal disc brake**

Brake voltage:  standard 205/207V (G-500 only 207V)     48-60-104-180V (SASSI brakes only)

Please indicate type of guide shoes:  SLIDING     ROLLER

Please indicate if cantilever sling elevator system:  YES     NO

**Language for data plate and Owner's handbook:** I  GB  D  E  F  CZ  AR

### ACCESSORIES

- |  |  |
|--|--|
| <input type="checkbox"/> Connector for Inverter<br>Brand/Type _____<br><input checked="" type="checkbox"/> Ropes protection (included)<br><input checked="" type="checkbox"/> Encoder (included) <input type="checkbox"/> absolute <input type="checkbox"/> incremental<br><input type="checkbox"/> Lever for hand brake release<br><input type="checkbox"/> Sheave protection<br><input type="checkbox"/> Multiple cable (motor + brake + micro + heat sensor) lengths:<br><input type="checkbox"/> 4m <input type="checkbox"/> 7m <input type="checkbox"/> 10m <input type="checkbox"/> 15m<br><input type="checkbox"/> Encoder cables <input type="checkbox"/> yes <input type="checkbox"/> no<br><input type="checkbox"/> 4m <input type="checkbox"/> 7m <input type="checkbox"/> 10m <input type="checkbox"/> 15m<br><input type="checkbox"/> IP66 protection | <input type="checkbox"/> Flat frame<br><input type="checkbox"/> Vibration-dampings<br><input type="checkbox"/> High frame<br><input type="checkbox"/> Distance between ropes<br>_____mm<br><input type="checkbox"/> Divertor Ø _____ mm<br><input type="checkbox"/> Divertor protection<br><input type="checkbox"/> Divertor quantity _____<br><input type="checkbox"/> TelMo<br><input type="checkbox"/> Distance between ropes<br>_____mm<br><input type="checkbox"/> Packing in box |
|--|--|

### TRACTION SHEAVE

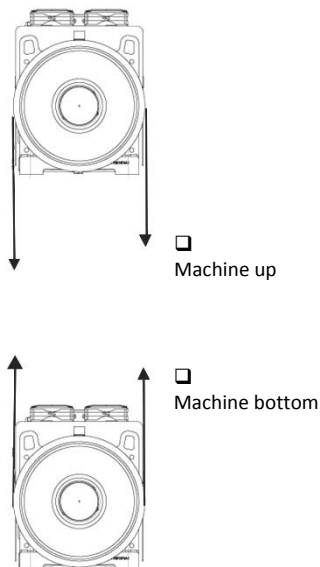
**Groove type**

Without indication we will deliver V type 45° without undercut hardened, or V 35°/97°

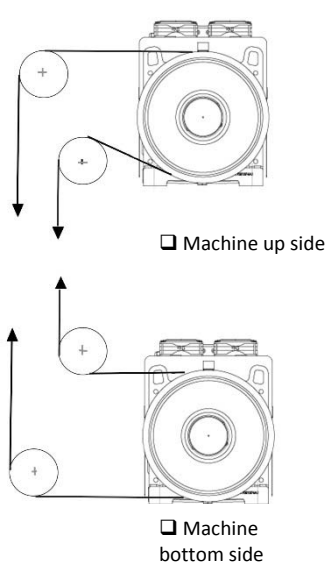
- V  angle \_\_\_\_\_° hardened  
 V  angle \_\_\_\_\_° **with undercut** angle \_\_\_\_\_°  
 U  angle \_\_\_\_\_° **with undercut** angle \_\_\_\_\_°  
 U  angle \_\_\_\_\_°

Ropes:  
Minimum breaking load for each rope \_\_\_\_\_ **Kg**

Typical configuration



Side machine configuration



Notes: